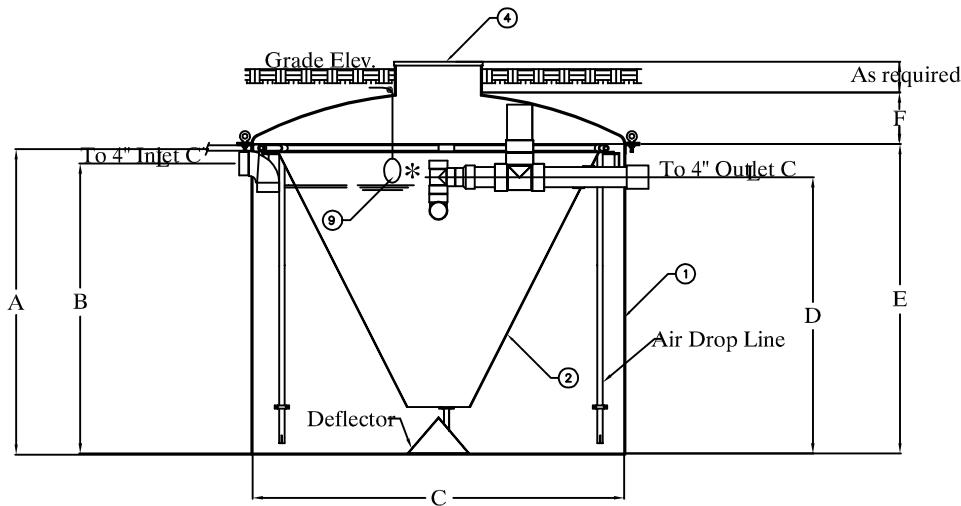


Plan View
(with cover removed)



Section A-A

NOT TO SCALE

Lake Shore Burial Vault Co., Inc
12780 W. Lisbon Road
Brookfield, WI 53005
Phone: 262.781.6262 Fax: 262.781.6280
www.lsburialvaults.com

General Notes:

This drawing is the property of Lake Shore Burial Vault Company and shall not be copied or submitted without the consent of this company. All vertical measurements are accurate within +/- 1" on the tank.

ATU Model	DF50-FF	DF-60-FF	DF75-FF	DF100A-FF	DF150-FF
A	59-3/16"	67-3/4"	72-1/2"	69-5/8"	99-5/8"
B	56-3/16"	64"	68-1/2"	66"	96"
C	72"	75"	81"	96"	96"
D	53-9/16"	61-1/2"	66"	63"	93-1/2"
E	60"	69"	74"	72"	102"
F	10"	11-1/2"	11-1/2"	12"	15-3/4"
G	78"	81"	87"	98"	98"
H	10"	10"	10"	10"	10"

ATU MODEL	DF50-FF	DF-60-FF	DF75-FF	DF100A-FF	DF150-FF
Capacity	500 GPD	600 GPD	750 GPD	1,000 GPD	1,500 GPD
BOD	1.25 lbs	1.5 lbs	1.88 lbs	2.5 lbs	3.75 lbs
Approx Weight	500	540	700	950	1,200

Model: Model DFXX-FF, Aerobic Treatment Units, Fiberglass Tank

Drawn By: MR Date: 2/22/10 Approx Weight: See Chart

Capacity: See Chart GFI: See Chart Dwg. No: 24.00603.00DF